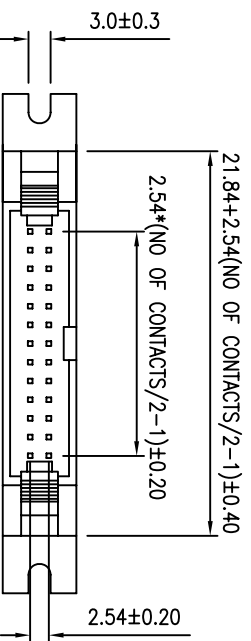
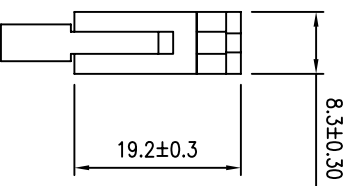
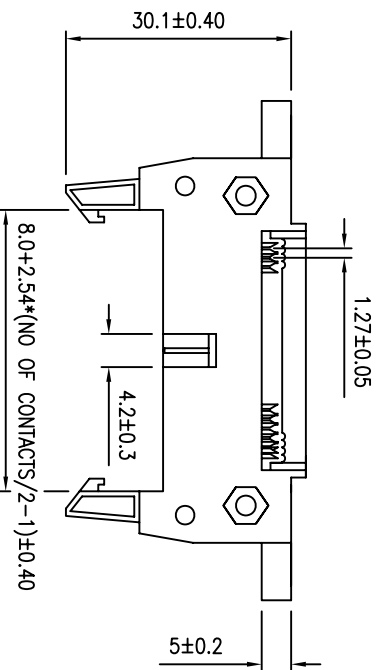


REV	ECN NO.	APP.	DATE
A	NEW DESIGN		



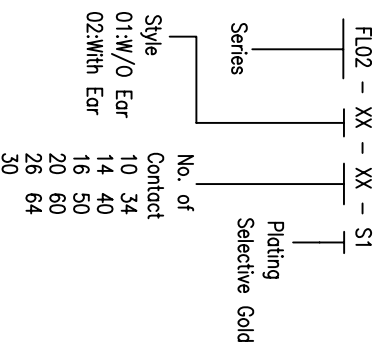
SPECIFICATION

- * Current Rating: 3 A
- * Withstanding Voltage: 500 VAC (1 min.)
- * Insulation Resistance: 1000 Megohms min.
- * Contact Resistance: 20 Milliohms max.
- * Operating Temperature: -40°C to +85°C

MATERIAL

- * Contact: Brass
- * Insulator: PBT & 30% G. F.
- * Plated: Selective Gold

ORDER INFORMATION



SHINHWA TECH CO.,LTD

0.0±	SCALE:	TITLE: 2.54mm (.100") Center	PART NO.:
0.00±	UNIT: MM	1. D. C P.C.B HEADER	APP BY:
0.000±		CONNECTOR WITH LATCHES	CHK BY:
		MATL: PBT + 30% GF	DR BY:
		DWG. NO. FLO2	

